



## STEP # 9

CONNECT **Exhaust** shroud to miner

- Use the remaining 8 of 16 – provided 'Fan Replacement Screws'

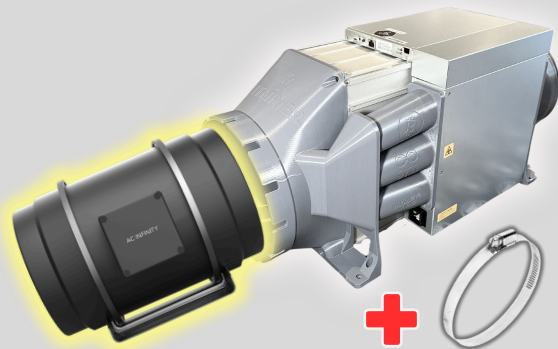


Do **NOT** use the manufacturer fan screws –they are way too long without the fans and can potentially make contact with your hashboard, which becomes a potential fire hazard

## STEP # 10

REINSTALL the screws located at the exhaust side of your miner that we uninstalled in STEP # 1

(If you haven't already)



## STEP # 11

CONNECT Inline Duct Fan

Use the provided HOSE CLAMP to tighten the shroud to your fan

## STEP # 12 (OPTIONAL)

**\*\*Not applicable for users with Njord boards\*\***

Set Fan Speed

- Minimum** – 80% (8/10) 🧊 Winter
- Normal** – 90% (9/10) 🍂 Spring & Fall
- Maximum** – 100% (10/10) ☀️ Summer



# ANTMINER DELUXE SHROUD KIT INSTALLATION INSTRUCTIONS

## WHAT'S IN THE BOX



INTAKE SHROUD x1



PSU SHROUD x1



EXHAUST SHROUD x1



FAN REPLACEMENT SCREWS x16



HOSE CLAMP x1

## TOOLS REQUIRED



PHILIPS (+) SCREWDRIVER



SIDE CUTTERS



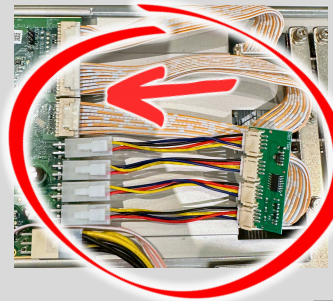
FLAT (-) SCREWDRIVER



## STEP # 1

**UNSCREW** the 5x screws (4x for S21 Pro series) located at the exhaust side of your miner

- the removal **order does not matter** - just be sure to **save the screws for later!**
- Note: Screws 1 and 2 are removed so that the fan wiring can be easily maneuvered



## STEP # 5 (OPTIONAL)

**PLUG** in your **spoofers/simulator** of choice into the 4x fan pin slots

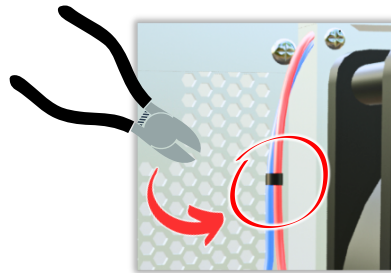
Reinstall and screw **control board cover shut** once complete

*Note: ASIC miners with 3rd party firmware (Braiiins, HiveOS, LuxOS) do **not** require spoofers – there is an option in the web GUI to 'disable fans' or 'enter immersion mode'*

## STEP # 2

**CUT** any zip ties holding the fan cabling together

- there shouldn't be more than **2 or 3** of them
- be careful not to cut the actual fan cable!



## STEP # 6

**REMOVE FANS & UNSCREW** all 16x fan screws located on both the intake & exhaust side of your miner

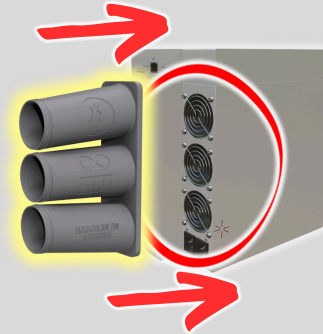
Set the **FOUR fans** aside and store them away



## STEP # 3

**PRESS & LIFT** the control board button also located at the exhaust side of your miner *Not Applicable for S21 Pro and onwards*

PULL top cover towards you to and it will lift



## STEP # 7

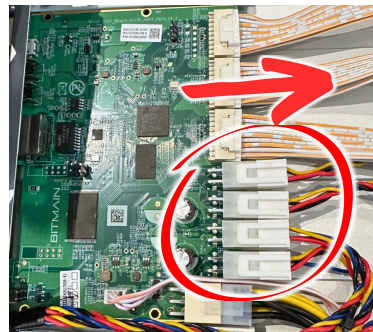
**SLIP ON** the **PSU Adapter Shroud** – it will slide right over the **power supply screws**

- Do **NOT** remove the stock power supply fan screws
- Our premium shrouds don't require that tedious step!

## STEP # 4 (OPTIONAL)

**Unplug** all 4x fans from the control board

- Pin configuration is dependant on model and manufacturer
- If you are keeping stock fans, ignore step
- Image on the right is an S21 Pro



## STEP # 8

**CONNECT Intake** shroud to miner

- Use 8 of 16 – provided 'Fan Replacement Screws'
- The 'Intake Shroud' will slide right over the 'PSU Manifold Shroud' without the need for tools

Do **NOT** use the **manufacturer fan screws** – they are way too long without the fans and can potentially make contact with your hashboard, which becomes a potential fire hazard

